

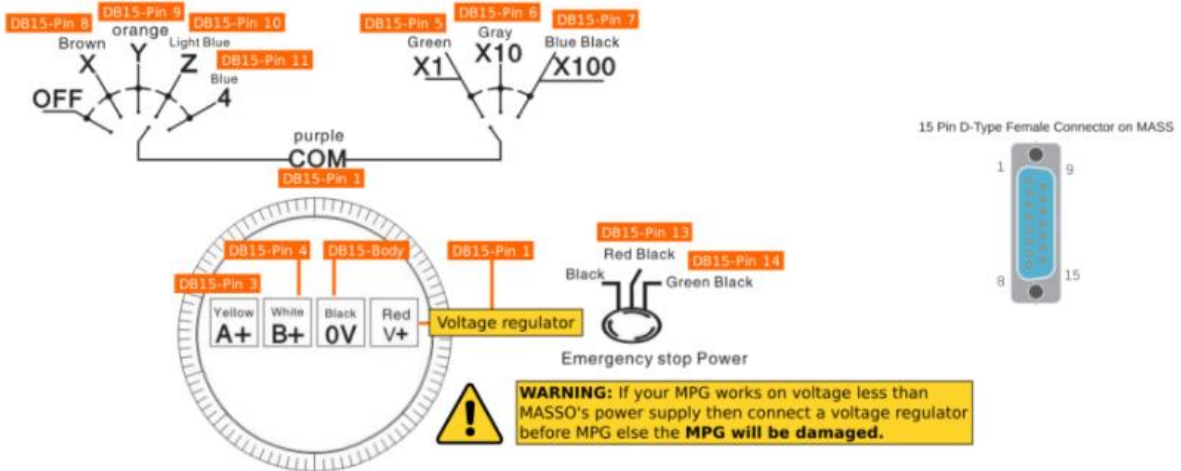
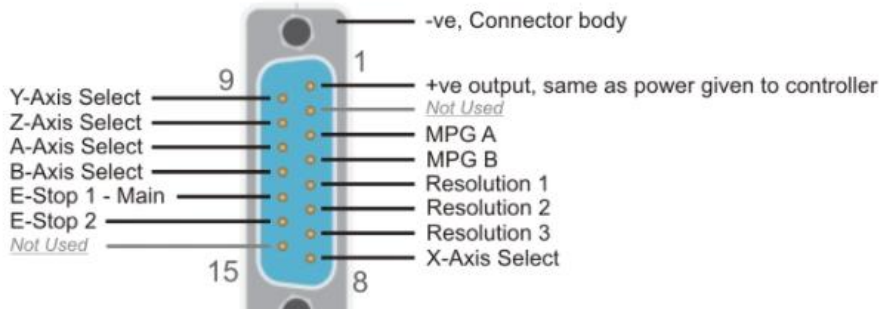
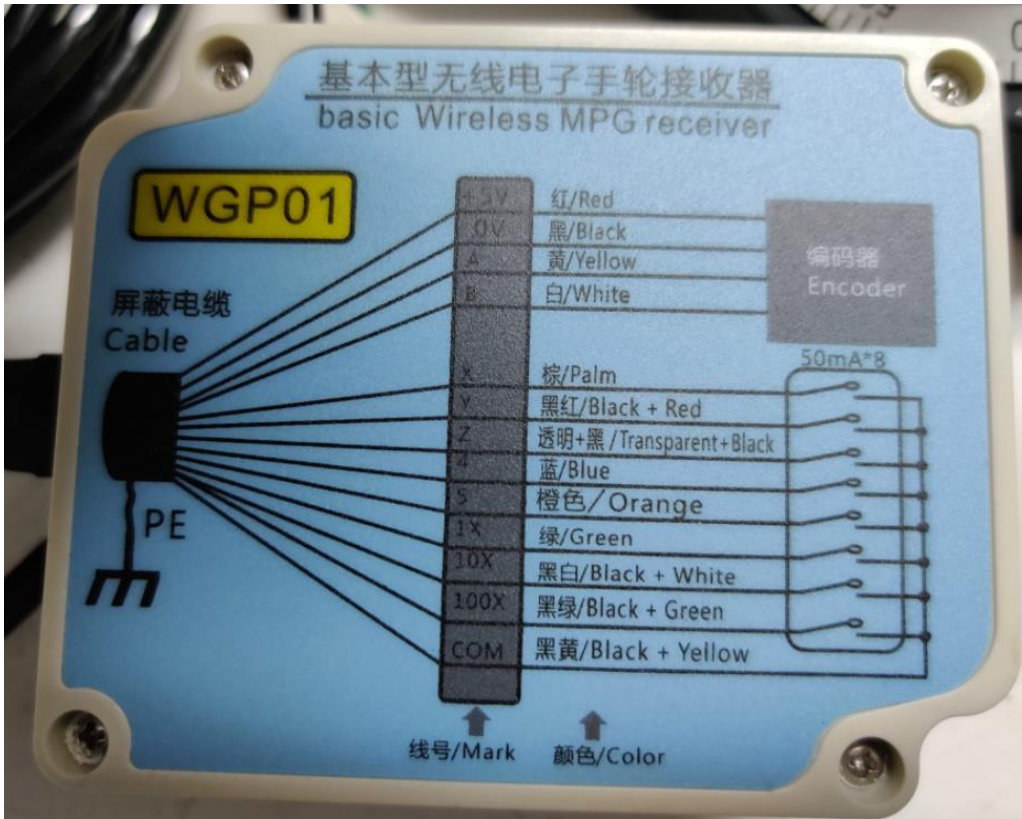
Wireless pendant MASSO-CNC DIY



Whitesocks-Engineering (Hardware-CNC), Eerste Molenweg 28A, 1261TD, Blaricum.

Tel: 035-8888107 – Info@hardware-CNC.nl

BTW NL001932234B30, KVK 67773435, EORI 001932234, Levering volgens Metaal-Unie voorwaarden mits anders is aangegeven.



MASSO connector		WGP01 Receiver
1	COM (MASSO)	Black+Yellow
2	Not used	---
3	MPG A	Yellow
4	MPG B	White
5	Resolution 1	Green
6	Resolution 2	Black+White
7	Resolution 3	Black+Green
8	X-axis Select	Brown
9	Y-axis Select	Black+Red
10	Z-axis Select	Transparent+Black
11	A(4)-axis Select	Blue
12	B(5)-axis Select	Orange
13	Not used	---
14	Not used	---
15	Not used	---

Power the receiver box:

Solder the 24VDC to 5VDC convertor like figure below:

